

**CUSTOMISATION**  
Every Classic TITAN LED lightbar is designed by our in-house engineers. Choose from six standard lengths and add further optional extras to suit your exact requirements.

**LEAD TIMES**  
The Classic TITAN LED lightbar is manufactured at our UK production facility which means quicker responses, faster production times and no long delivery lead-times.

**QUALITY CONTROL**  
Our fully trained and dedicated production team ensure every Classic TITAN is manufactured to the highest standards and 100% checked prior to despatch giving you full confidence.

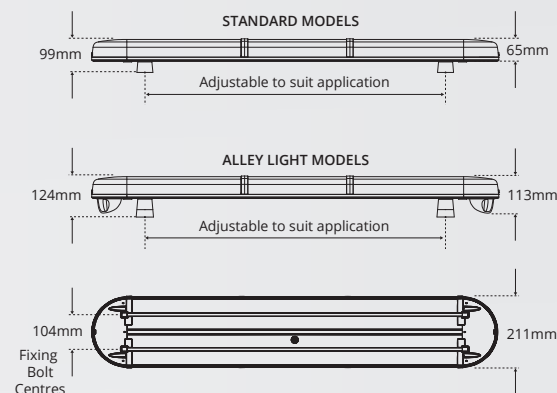
Selectable CAP168 Flash Pattern



## MAIN FEATURES

- Multi-voltage (10-30V)
- 2ft/600mm, 2.5ft/762mm, 3ft/915mm, 4ft/1220mm, 5ft/1524mm & 6ft/1828mm lengths available
- Four R65 approved flash patterns (single, double, triple, quad flash)
- Optional airport flash pattern (upon request)
- 360° high performance optics for improved safety
- Amber or clear polycarbonate lenses
- Extruded aluminium base
- Fully encapsulated electronic control module
- Long life LED technology
- Amber, clear or white centre sections available
- 4-bolt mounting fix / high rise feet option
- Extreme temperature reliability -30° to +50°
- 2ft magnetic models available (40mph max. speed)
- 2.5 metre multi-core cable

Components	Current Consumption @ 12V	Current Consumption @ 24V
R65 LED Module (x1)	2.0A	1.0A
Centre Illumination (x1)	0.4A	0.2A
Alley Light (x1)	0.3A	0.2A
Hazard Light (x1)	0.3A	0.2A
Stop, Tail, Indicator (x1)	0.6A	0.3A
LED Worklamp (x1)	1.0A	0.5A



## KEY POINTS

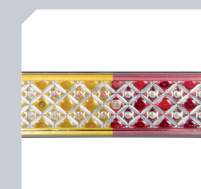


## POSSIBLE LENS / LED COLOUR COMBINATIONS



Model shown: LB482AC/IS

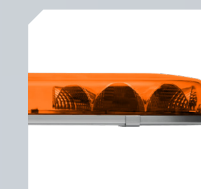
## CUSTOMISE YOUR CLASSIC TITAN



LED Stop, Tail, Indicator Light



External LED Alley Lights



Amber Lens with White LEDs



Front & Rear Hazard Lights



100mm & 150mm 'Z' Shaped Brackets



Opaque/Illuminated Centre & Signage



External LED Work Lamps



2 Head or 4 Head Lightbar Options